

# 54HSC/T630

## RADIATION HARD 16-BIT PARALLEL ERROR DETECTION & CORRECTION

The 54HSC/T630 is a 16-bit parallel Error Detection and Correction circuit. It uses a modified Hamming code to generate a 6-bit check word from each 16-bit data word. The check word is stored with the data word during a memory write cycle. During a memory read cycle a 22-bit word is taken from memory and checked for errors.

Single bit errors in data words are flagged and corrected. Single bit errors in check words are flagged but not corrected. The position of the incorrect bit is pinpointed, in both cases, by the 6-bit error syndrome code which is output during the error correction cycle.

Two bit errors are flagged but not corrected. Any combination of two bit errors occurring within the 22-bit word read from memory, (ie two errors in the 16-bit data word, two bits in the 16-bit check word or one error in each) will be correctly identified.

The gross errors of all bits, low or high, will be detected.

The control signals S1 and S0 select the function to be performed by the EDAC. They control the generation of check words and the latching and correction of data (see table 1) When errors are detected, flags are placed on outputs SEF and DEF (see table 2).

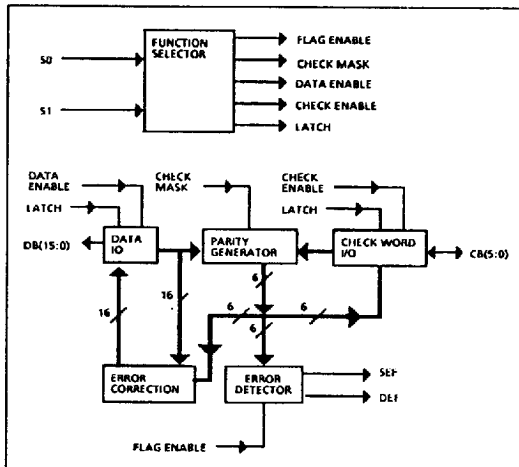


Figure 1: Block Diagram

### FEATURES

- Radiation Hard:
  - Dose Rate Upset Exceeding  $3 \times 10^{19}$  Rad(Si)/sec
  - Total Dose for Functionality Upto  $1 \times 10^6$  Rad(Si)
- High SEU Immunity, Latch Up Free
- CMOS-SOS Technology
- All Inputs and Outputs Fully TTL Compatible (54HST630) or CMOS Compatible (54HSC630)
- Low Power
- Detects and Corrects Single-Bit Errors
- Detects and Flags Dual-Bit Errors
- High Speed:
  - Write Cycle - Generates Checkword In 40ns Typical
  - Read Cycle - Flags Errors In 20ns Typical

Cycle	Control		EDAC Function	Data UO	Checksum	Error Flags	
	S1	S0				SEF	DEF
WRITE	Low	Low	Generates Checkword	Input Data	Output Checkword	Low	Low
READ	Low	High	Read Data BChecksum	Input Data	Input Checkword	Low	Low
READ	High	High	Latch & Flag Error	Latch Data	Latch Checkword	Enabled	Enabled
READ	High	Low	Correct Data Word & Generate Syndrome Bits	Output Corrected Data	Output Syndrome Bits	Enabled	Enabled

Table 1: Control Functions

Total Number of Errors		Error Flags		Data Correction
16-bit Data	6-bit Checkword	SEF	DEF	
0	0	Low	Low	Not Applicable
1	0	High	Low	Correction
0	1	High	Low	Correction
1	1	High	High	Interrupt
2	0	High	High	Interrupt
0	2	High	High	Interrupt

Table 2: Error Functions

## ERROR DETECTION & CORRECTION

During a memory write cycle, six check bits (CBO-CB5) are generated by eight-input parity generators using the data bits defined in Table 3. During a memory read cycle, the 6-bit checkword is retrieved along with the actual data.

Error detection is accomplished as the 6-bit checkword and the 16-bit data word from memory are applied to internal parity generators/checkers. If the parity of all six groupings of data and check bits are correct, it is assumed that no error has occurred and both error flags will be low. It should be noted that the sense of two of the check bits, bits CBO and CB1, is inverted to ensure that the gross-error condition of all lows and all highs is detected.

If the parity of one or more of the check groups is incorrect, an error has occurred and the proper error flag or flags will be set high. Any single error in the 16bit data word will change the sense of exactly three bits of the 6-bit checkword. Any single error in the 6bit checkword changes the sense of only that one bit. In either case, the single error flag will be set high while the dual error flag will remain low.

Any two-bit error will change the sense of an even number of check bits. The two-bit error is not correctable since the parity tree can only identify singlebit errors. Both error flags are set high when any two-bit error is detected.

Three or more simultaneous bit errors cause the EDAC to transmit that no error, a correctable error, or an uncorrectable error has occurred and hence produce erroneous results in all three cases.

Error correction is accomplished by identifying the bad bit and inverting it. Identification of the erroneous bit is achieved by comparing the 16-bit word and 6-bit checkword from memory with the new checkword with one (checkword error) or three (data word error) inverted bits.

As the corrected word is made available on the data word I/O port, the checkword I/O port presents a 6-bit syndrome error code. This syndrome code can be used to identify the corrupted bit in memory (see Table 4, overleaf).

Checkword Bit	16-bit Data Word															
	0	1	2	3	4	5	6	7	8	9	10	11	12	13	14	15
CB0	X	X		X	X				X	X	X			X		
CB1	X		X	X		X	X		X			X			X	
CB2		X	X		X	X		X		X			X			X
CB3	X	X	X				X	X			X	X	X			
CB4				X	X	X	X	X						X	X	X
CB5									X	X	X	X	X	X	X	X

The six check bits are partly bits derived from the matrix of data bits as indicated by 'X' for each bit.

Table 3: Check Word Generation

Syndrome Error Code	Error Location																							
	DB0	DB1	DB2	DB3	DB4	DB5	DB6	DB7	DB8	DB9	DB10	DB11	DB12	DB13	DB14	DB15	CB0	CB1	CB2	CB3	CB4	CB5	No Error	
CB0	L	L	H	L	L	H	H	H	L	L	L	H	H	L	H	H	L	H	H	H	H	H	H	H
CB1	L	H	L	L	H	L	L	H	L	H	H	L	H	H	L	H	H	L	H	H	H	H	H	H
CB2	H	L	L	H	L	L	H	L	H	L	H	H	L	H	H	L	H	H	L	H	H	H	H	H
CB3	L	L	L	H	H	L	L	H	H	L	L	L	L	H	H	H	H	H	H	H	L	H	H	H
CB4	H	H	H	L	L	L	L	L	H	H	H	H	H	L	L	L	H	H	H	H	L	L	H	H
CB5	H	H	H	H	H	H	H	H	L	L	L	L	L	L	L	H	H	H	H	H	H	L	H	H

Table 4: Error Syndrome Codes

## APPLICATIONS

Although many semiconductor memories have separate input and output pins, it is possible to design the error detection and correction function using a single EDAC. EDAC data and check bit pins function as inputs or outputs dependent upon the state of control signals S0 and S1. It becomes necessary to use wired AND logic, with fairly complex timing system, to control the EDAC and data bus. This scheme becomes difficult to implement both in terms of board layout and timing. System performance is also adversely affected. See Figure 2.

Optimised systems can be implemented using two EDAC's in parallel. One of the units is used strictly as an encoder during the memory write cycle. Both controls S0 and S1 are grounded. The encoder chip will generate the 6-bit check word for memory storage along with the 16-bit data.

The second of the two EDAC's will be used as a decoder during the memory read cycle. This decoder chip requires timing pulses for correct operation. Control S1 is set low and S0 high as the memory read cycle begins. After the memory output data is valid, the control S1 input is moved from the low to a high. This low-to-high transition latches the 22-bit word from memory into internal registers of this second EDAC and enables the two error flags. If no error occurs, the CPU can accept the 16-bit word directly from memory. If a single error has occurred, the CPU must move the control S0 input from the high to a low to output corrected data and the error syndrome bits. Any dual error should be an interrupt condition.

In most applications, status registers will be used to keep tabs on error flags and error syndrome bits. If repeated patterns of error flags and syndrome bits occur, the CPU will be able to recognize these symptoms as a "hard" error. The syndrome bits can be used to pinpoint the faulty memory chip. See Figure 3.

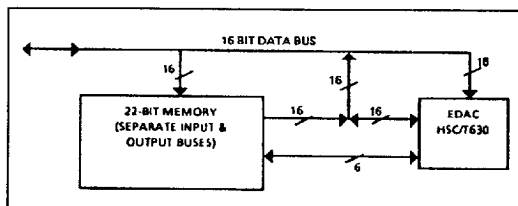


Figure 2: Error Detection and Correction Using a Single EDAC Unit

3768522 0024237 467

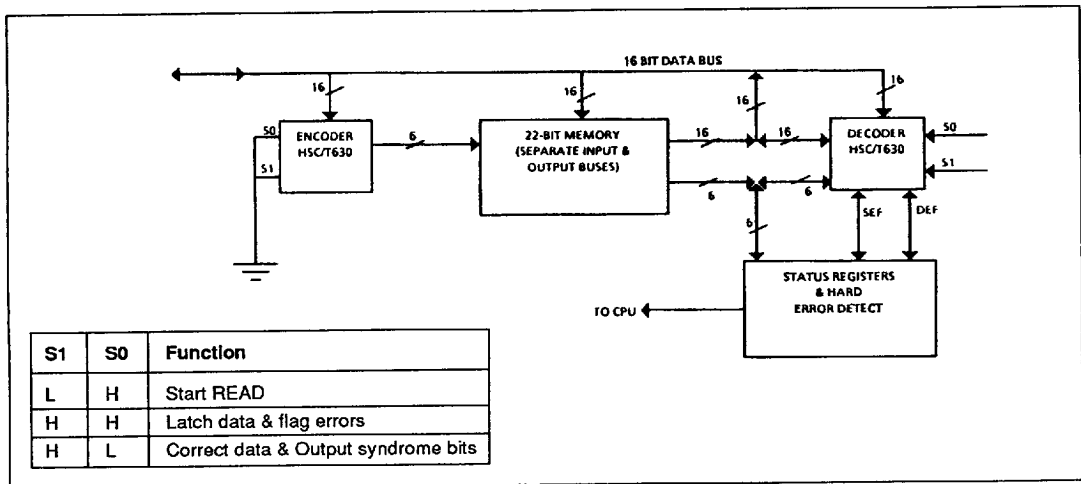


Figure 3: Error Detection and Correction Using Two EDAC Units

DEFINITION OF SUBGROUPS

Subgroup	Definition
1	Static characteristics specified in Table 6 at +25°C
2	Static characteristics specified in Table 6 at +125°C
3	Static characteristics specified in Table 6 at -55°C
9	Switching characteristics specified in Table 7 at +25°C
10	Switching characteristics specified in Table 7 at +125°C
11	Switching characteristics specified in Table 7 at -55°C

DC CHARACTERISTICS AND RATINGS

Parameter	Min	Max	Units
Supply Voltage	-0.5	7	V
Input Voltage	$V_{SS}-0.3$	$V_{DD}+0.3$	V
Current Through Any Pin	-20	+20	mA
Operating Temperature	-55	125	°C
Storage Temperature	-65	150	°C

**Note:** Stresses above those listed may cause permanent damage to the device. This is a stress rating only and functional operation of the device at these conditions, or at any other condition above those indicated in the operations section of this specification, is not implied. Exposure to absolute maximum rating conditions for extended periods may affect device reliability.

Table 5: Absolute Maximum Ratings

Symbol	Parameter	Conditions	Total dose radiation not exceeding $3 \times 10^5$ Rad(Si)			Units
			Min	Typ	Max	
$V_{DD}$	Supply Voltage	-	4.5	5.0	5.5	V
$V_{IH1}$	TTL Input High Voltage	-	2.0	-	-	V
$V_{IL1}$	TTL Input Low Voltage	-	-	-	0.8	V
$V_{IH2}$	CMOS Input High Voltage	-	3.5	-	-	V
$V_{IL2}$	CMOS Input Low Voltage	-	-	-	1.5	V
$V_{OH1}$	TTL Output High Voltage	$I_{OH} = -4\text{mA}$	2.4	-	-	V
$V_{OL1}$	TTL Output Low Voltage	$I_{OL} = 12\text{mA}$ (CB or DB), $I_{OL} = 4\text{mA}$ (SEF or DEF)	-	-	0.4	V
$V_{OH2}$	CMOS Output High Voltage	$I_{OH} = -4\text{mA}$	$V_{DD}-0.5$	-	-	V
$V_{OL2}$	CMOS Output Low Voltage	$I_{OL} = 12\text{mA}$ (CB or DB), $I_{OL} = 4\text{mA}$ (SEF or DEF)	-	-	0.5	V
$I_{1L}$	Input Low Current	$V_{DD} = 5.5, V_{IN} = V_{SS}$	-	-	-10	$\mu\text{A}$
$I_{1H}$	Input High Current	$V_{DD} = 5.5, V_{IN} = V_{DD}$	-	-	50	$\mu\text{A}$
$I_{2L}$	IO Low Current	$V_{DD} = 5.5, V_{IN} = V_{SS}$	-	-	-50	$\mu\text{A}$
$I_{2H}$	IO High Current	$V_{DD} = 5.5, V_{IN} = V_{DD}$	-	-	50	$\mu\text{A}$
$I_{DD}$	Power Supply Current	$V_{DD} = \text{Max}, S0 \& S1$ at 5.5V, All CB & DB pins grounded, DEF & SEF open	-	-	1	mA

$V_{DD} = 5V \pm 10\%$ , over full operating temperature range.

Mil-Std-883, method 5005, subgroups 1, 2, 3

Parameters at higher radiation levels available on request.

Table 6: Electrical Characteristics

## AC ELECTRICAL CHARACTERISTICS

Parameter	From (Input)	To (Output)	Min.		Units	Conditions (HST)	Conditions (HSC)
			Min.	Max.			
$t_{PLH}$ Propagation delay time, low-to-high-level output (Note 4)	DB	CB	-	58	ns	$S0 = 0V, S1 = 0V$	$S0 = 0V, S1 = 0V$
$t_{PLH}$ Propagation delay time, low-to-high-level output (Note 4)	DB	CB	-	58	ns	$S0 = 0V, S1 = 0V$	$S0 = 0V, S1 = 0V$
$t_{PLH}$ Propagation delay time, low-to-high-level output (Note 5)	$S1 \uparrow$	DEF	-	29	ns	$S0 = 3V$	$S0 = V_{DD}-1V$
$t_{PLH}$ Propagation delay time, low-to-high-level output (Note 5)	$S1 \uparrow$	SEF	-	29	ns	$S0 = 3V$	$S0 = V_{DD}-1V$
$t_{PZH}$ Output enable time to high level (Note 6)	$S0 \downarrow$	CB, DB	-	40	ns	$S1 = 3V$ (fig. 5)	$S1 = V_{DD}-1V$ (fig. 5)
$t_{PZL}$ Output enable time to low level (Note 6)	$S0 \downarrow$	CB, DB	-	45	ns	$S1 = 3V$ (fig. 4)	$S1 = V_{DD}-1V$ (fig. 4)
$t_{PHZ}$ Output disable time to high level (Note 7)	$S0 \uparrow$	CB, DB	-	45	ns	$S1 = 3V$ (fig. 5)	$S1 = V_{DD}-1V$ (fig. 5)
$t_{PLZ}$ Output disable time to low level (Note 7)	$S0 \uparrow$	CB, DB	-	65	ns	$S1 = 3V$ (fig. 4)	$S1 = V_{DD}-1V$ (fig. 4)
$t_S$ Set-up time to $S1 \downarrow$	CB, DB	-	30	-	ns	-	-
$t_H$ Hold time after $S1 \downarrow$	CB, DB	-	15	-	ns	-	-

1.  $V_{DD} = 5V \pm 10\%$  and  $CL = 50\text{pF}$ , over full operating temperature and total dose = 300K Rad(Si)

2. Input Pulse  $V_{SS}$  to 3.0 Volts.(TTL),  $V_{DD} -1V$  (CMOS).

3. Times Measurement Reference Level 1.5 Volts.

4. These parameters describe the time intervals taken to generate the check word during the memory write cycle.

5. These parameters describe the time intervals taken to flag errors during memory read cycle.

6. These parameters describe the time intervals taken to correct and output the data word and to generate and output the syndrome error code during the memory read cycle.

7. These parameters describe the time intervals taken to disable the CB & DB buses in preparation for a new data word during the memory read cycle.

8. Mil-Std-883, method 5005, subgroups 9, 10, 11

9. Parameters at higher radiation levels available on request.

Table 7: AC Electrical Characteristics

3768522 0024239 23T

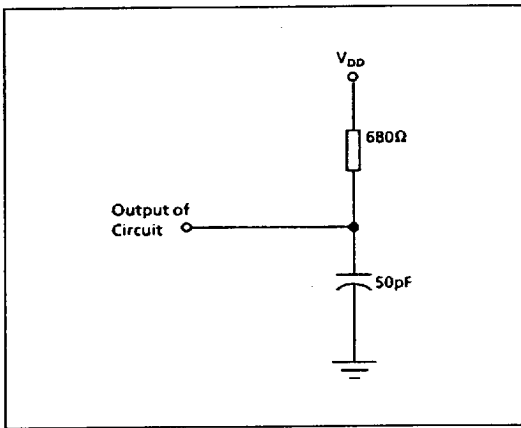


Figure 4: Output Load Circuit

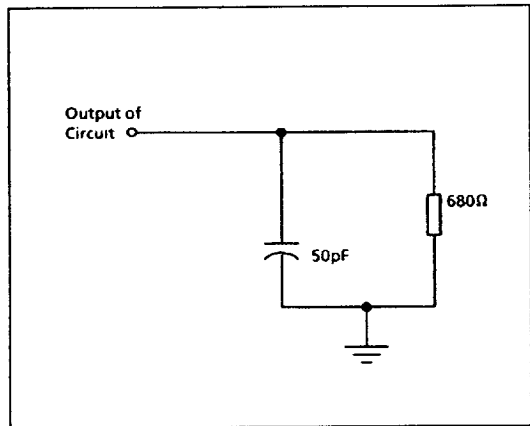


Figure 5: Output Load Circuit

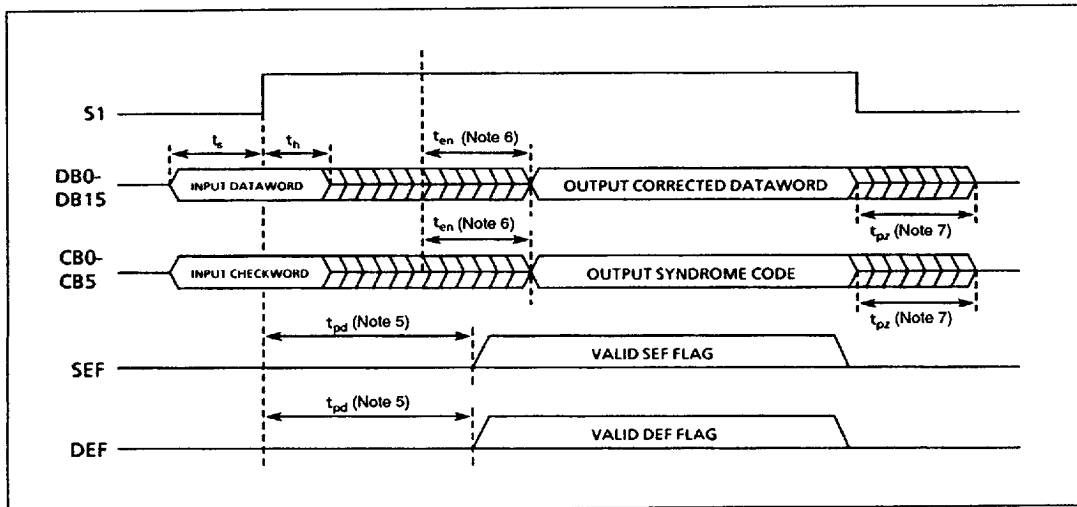


Figure 6: Read, Flag and Correct, Made Switching Waveforms

**PIN ASSIGNMENTS**

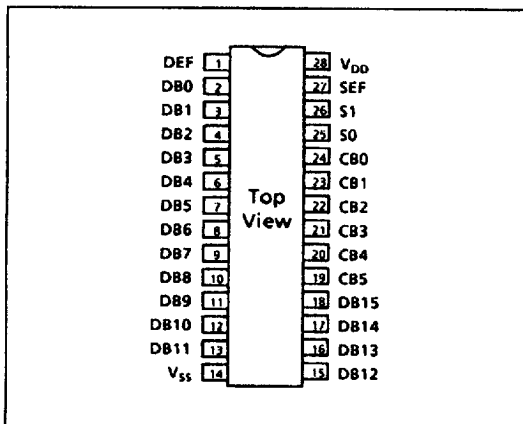


Figure 7: 28-Lead Ceramic DIL (Solder Seal) - Package Style C

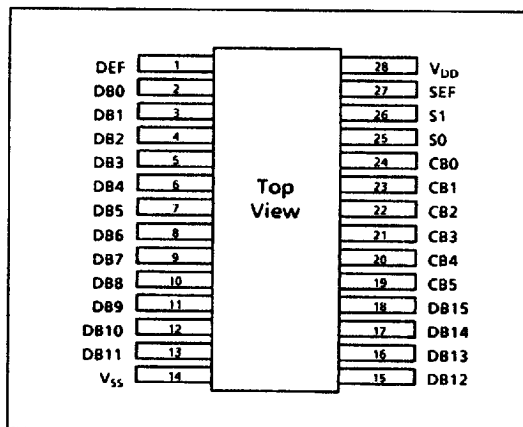


Figure 8: 28-Lead Flatpack (Solder Seal) - Package Style F

**PACKAGE OUTLINES**

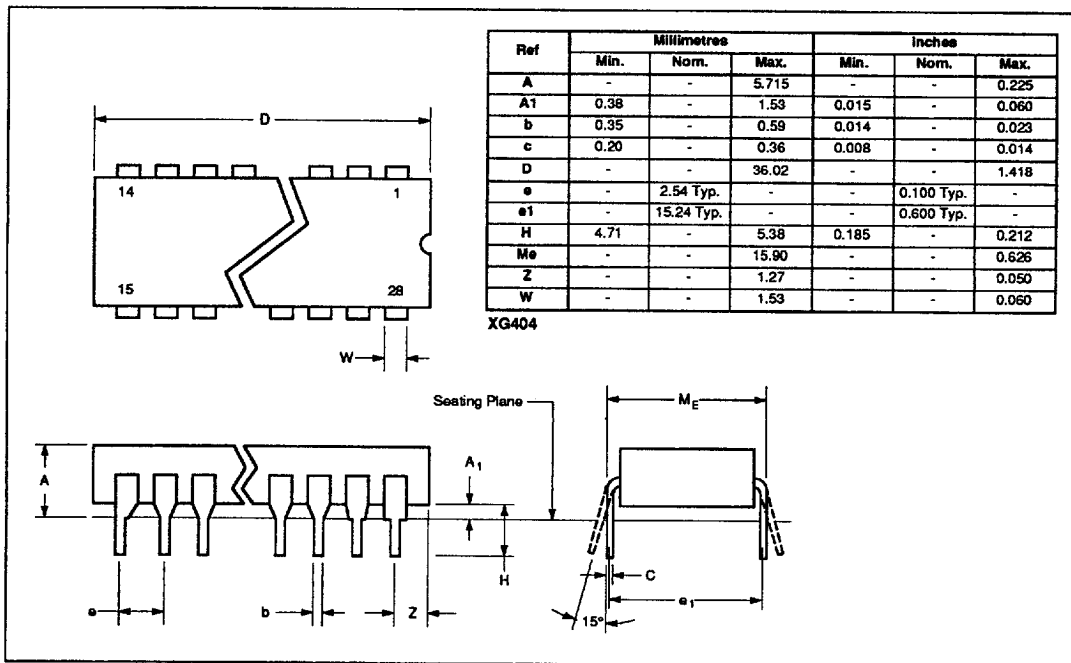


Figure 9: 28-Lead Ceramic DIL (Solder Seal) - Package Style C

Ref	Millimetres			Inches		
	Min.	Nom.	Max.	Min.	Nom.	Max.
A	-	-	2.97	-	-	0.117
b	0.38	-	0.48	0.015	-	0.019
c	0.076	-	0.152	0.003	-	0.006
D	18.08	-	18.49	0.712	-	0.728
E	12.50	-	12.90	0.492	-	0.508
E2	9.45	-	9.85	0.372	-	0.388
e	1.14	-	1.40	0.045	-	0.055
L	8.00	-	9.27	0.315	-	0.365
Q	0.66	-	-	0.026	-	-
S	-	-	1.14	-	-	0.045

XG543

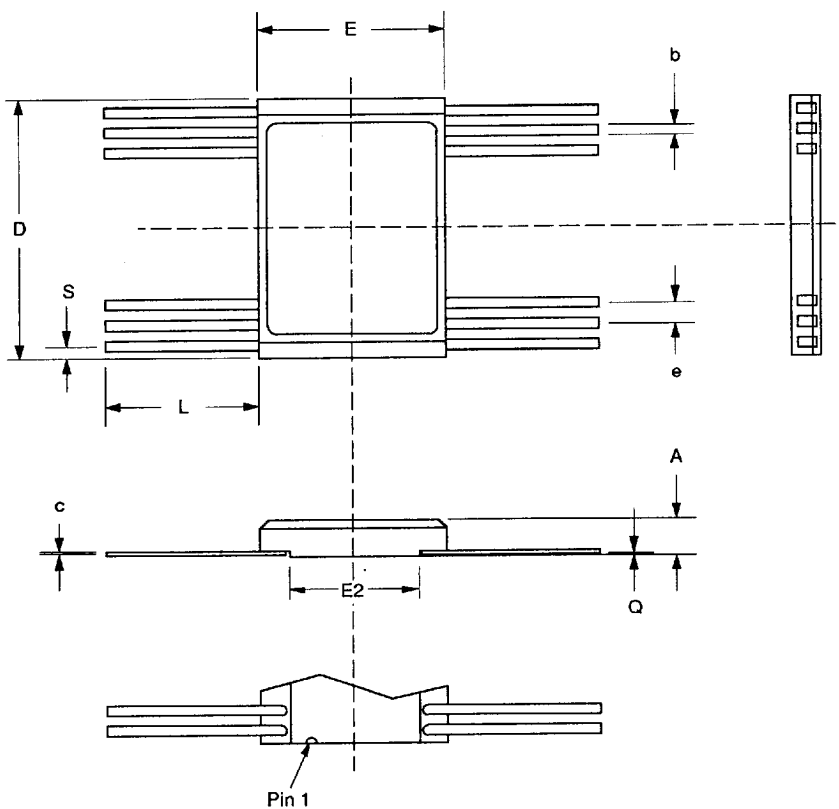


Figure 10: 28-Lead Ceramic Flatpack (Solder Seal) - Package Style F



**RADIATION TOLERANCE**

**Total Dose Radiation Testing**

For product procured to guaranteed total dose radiation levels, each wafer lot will be approved when all sample devices from each lot pass the total dose radiation test.

The sample devices will be subjected to the total dose radiation level (Cobalt-60 Source), defined by the ordering code, and must continue to meet the electrical parameters specified in the data sheet. Electrical tests, pre and post irradiation, will be read and recorded.

GEC Plessey Semiconductors can provide radiation testing compliant with Mil-Std-883 method 1019 Ionizing Radiation (total dose) test.

Total Dose (Function to specification)*	3x10 <sup>5</sup> Rad(Si)
Transient Upset (Stored data loss)	5x10 <sup>10</sup> Rad(Si)/sec
Transient Upset (Survivability)	>1x10 <sup>12</sup> Rad(Si)/sec
Neutron Hardness (Function to specification)	>1x10 <sup>15</sup> n/cm <sup>2</sup>
Single Event Upset**	<1x10 <sup>10</sup> Errors/bit day
Latch Up	Not possible

\* Other total dose radiation levels available on request

\*\* Worst case galactic cosmic ray upset - interplanetary/high altitude orbit

Figure 11: Radiation Hardness Parameters

**ORDERING INFORMATION**

